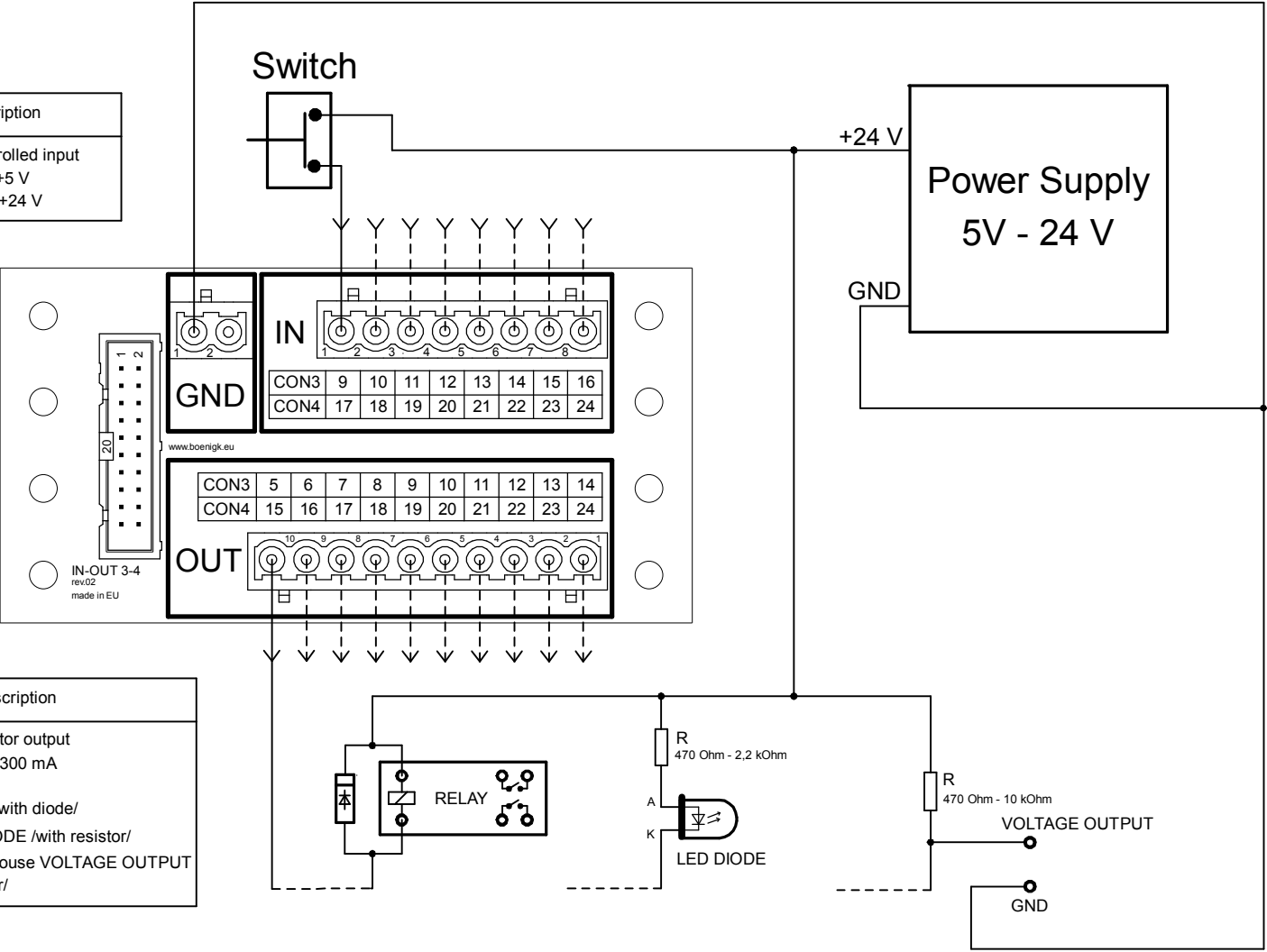


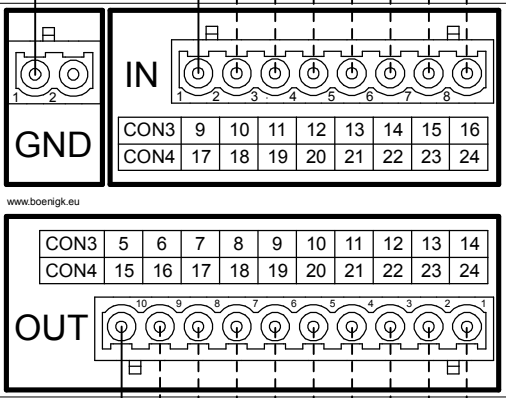
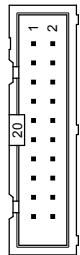
Inputs description

- Voltage controlled input
- min voltage +5 V
- max voltage +24 V



Outputs description

- Open Collector output
- max current 300 mA
- can control:
 - RELAY /with diode/
 - LED DIODE /with resistor/
- general purpose VOLTAGE OUTPUT /with resistor/



IN-OUT 3-4		in-out_3-4a	
		2016-08-08 12:00:50	
		Sheet: >SHEET	